



# INSTALLATION INSTRUCTIONS

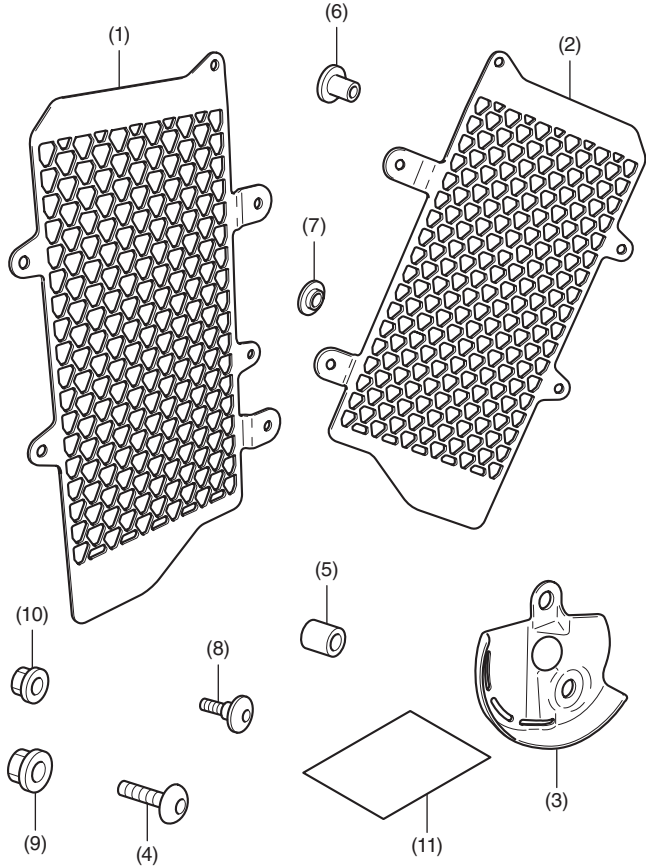
Accessory  
**RADIATOR GRILL**  
P/N 08F71-MKS-E00

Application  
**CRF1100A/A2/A4/D/D2/D4**

Publication No.  
**MII**  
Issue Date  
**June 2021**

**Honda Dealer: Please give a copy of these instructions to your customer.**

## PARTS LIST



No.	Description	Qty
(1)	Right radiator grill	1
(2)	Left radiator grill	1
(3)	Horn cover	1
(4)	6 mm screw	4
(5)	Collar	4
(6)	Flange collar (long)	4
(7)	Flange collar (short)	1
(8)	5 mm screw	1
(9)	6 mm flange nut	4
(10)	5 mm flange nut	1
(11)	URL paper	1

## TOOLS REQUIRED

- Socket (8 and 10 mm)
- Ratchet
- Box-end wrench (8 and 10 mm)
- Hex wrench (5 mm)
- Torque wrench

## TORQUE CHART

Tighten all screws, bolts, and nuts to their specified torque values. Refer to the Service Manual for the torque values of the removed parts.

Item	N-m	kgf-m	lbf-ft
5 mm flange nut	5.2	0.5	3.8
6 mm screw	8	0.8	5.9

## INSTALLATION

### ▲ CAUTION

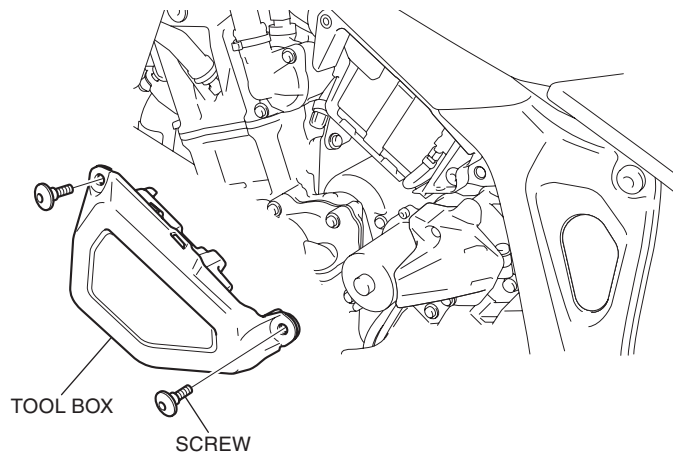
- To prevent burns, allow the engine, exhaust system, radiator, etc., to cool before installing the accessory.

### NOTE:

- Disconnect the negative (-) cable from the battery before installing this accessory.
- The memories of the clock will be erased when you disconnect the battery. Reset the memories after reconnecting the battery.
- Reinstall the removed parts on the motorcycle and make sure that the wires and harnesses are not pinched.
- Although the illustration is of CRF1100D4, use the same procedures for other models.

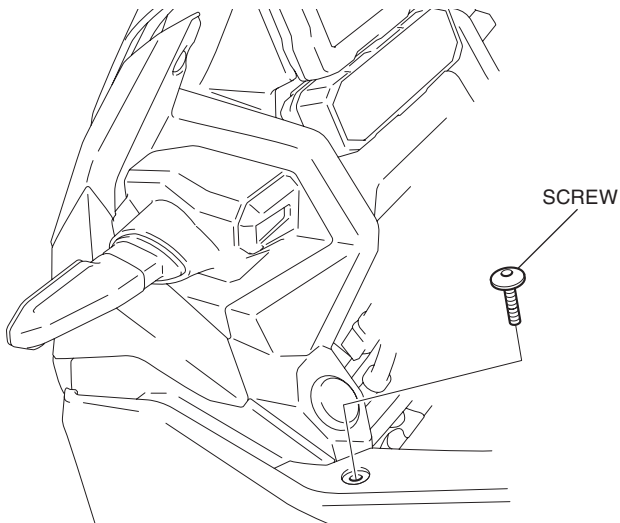
- Remove the tool box and disconnect the negative (-) cable of the battery.

<Left side>

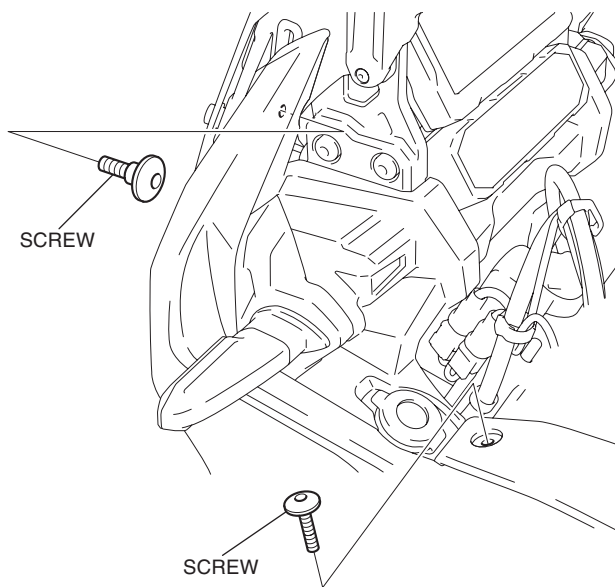


2. Remove the screw as shown.
- Repeat on the right side.

<Left side> CRF1100A/D

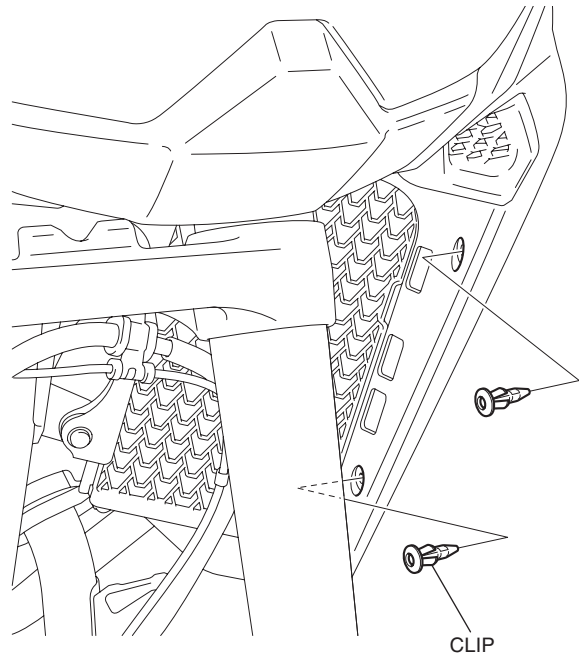


<Left side> CRF1100A2/A4/D2/D4

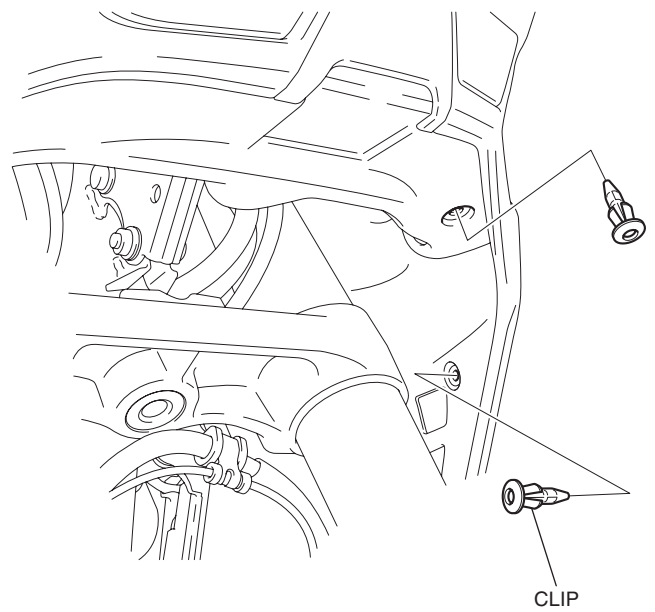


3. Remove the clips as shown.
- Repeat on the right side.

<Left side> CRF1100A/D

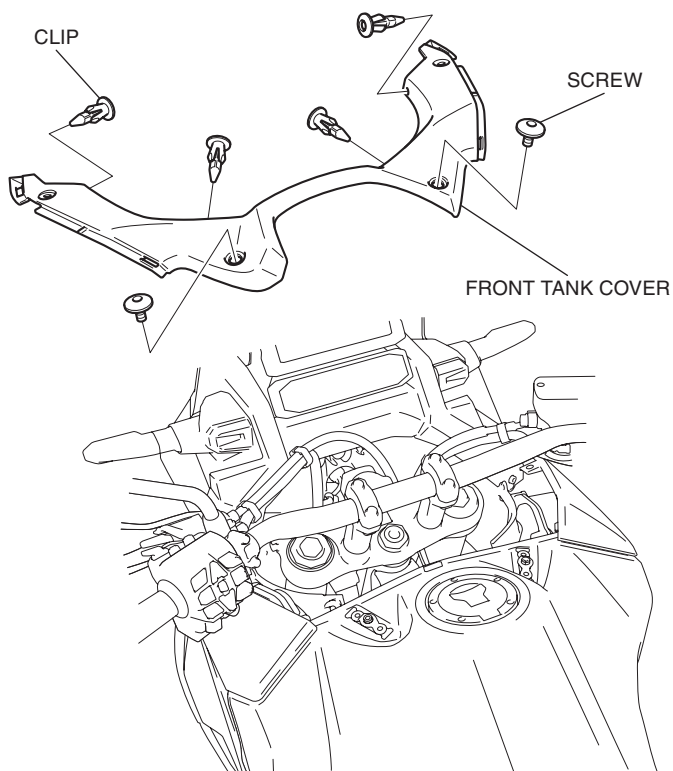


<Left side> CRF1100A2/A4/D2/D4

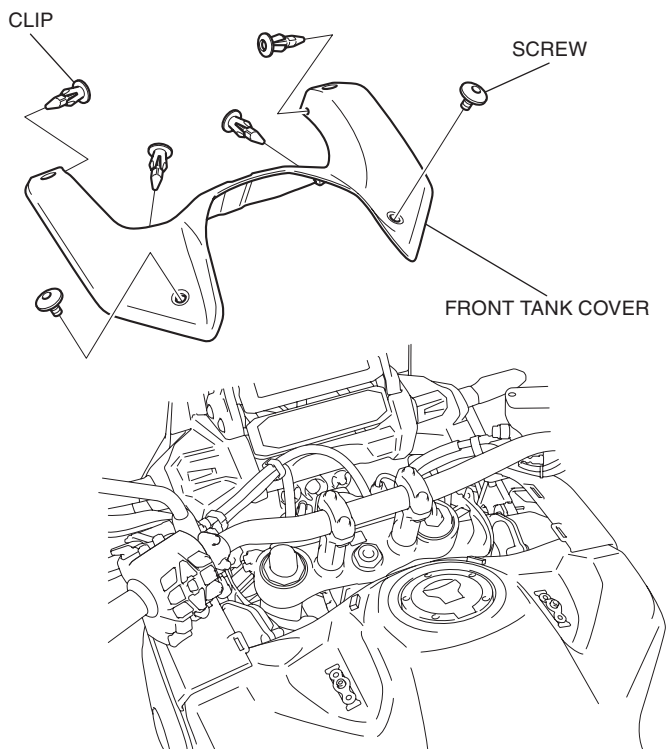


4. Remove the front tank cover as shown.

<Left side> CRF1100A/D

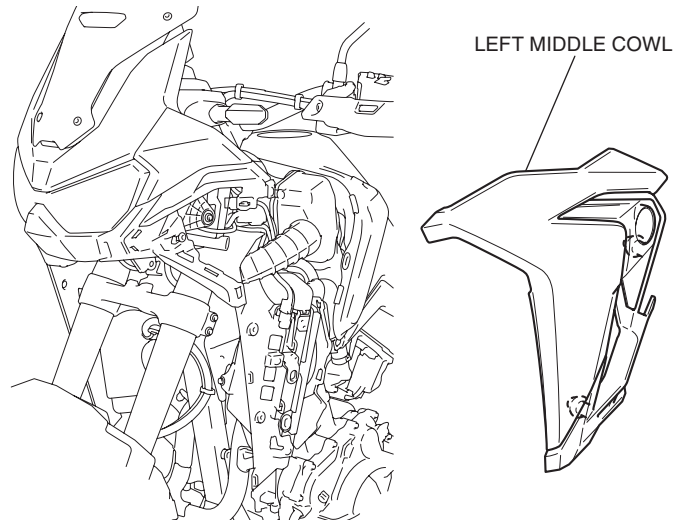


<Left side> CRF1100A2/A4/D2/D4

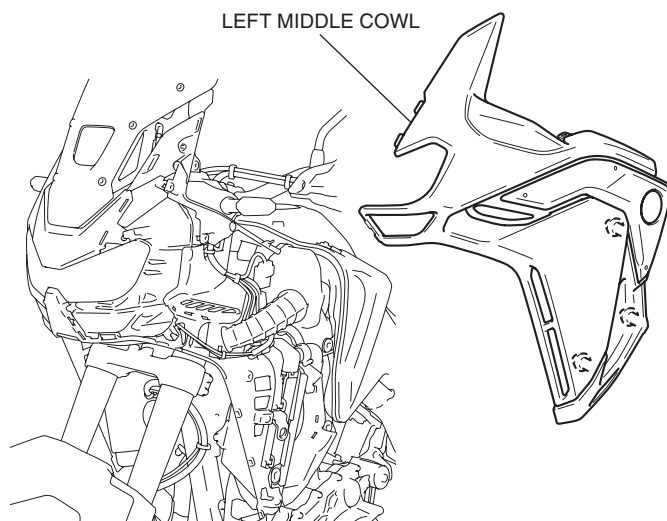


5. Remove the left middle cowl as shown.

<Left side> CRF1100A/D



<Left side> CRF1100A2/A4/D2/D4

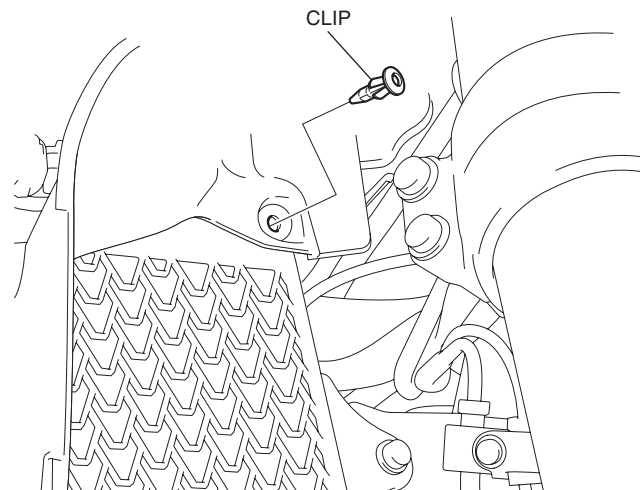


6. Remove the right middle cowl in the same manner as the left side.

7. Remove the clip as shown.

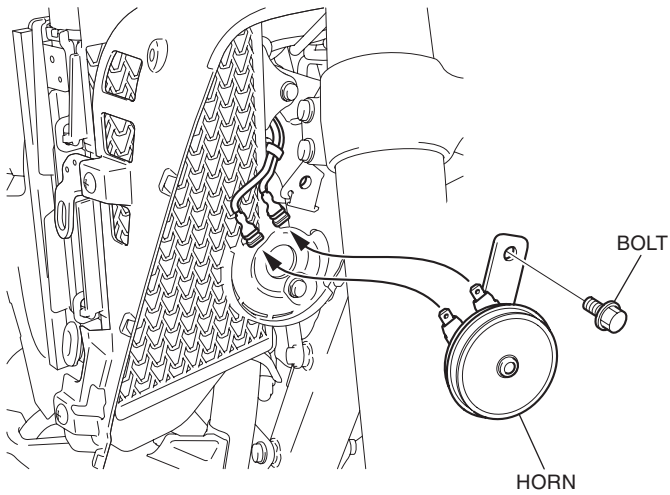
- Repeat on the left side.

<Right side>

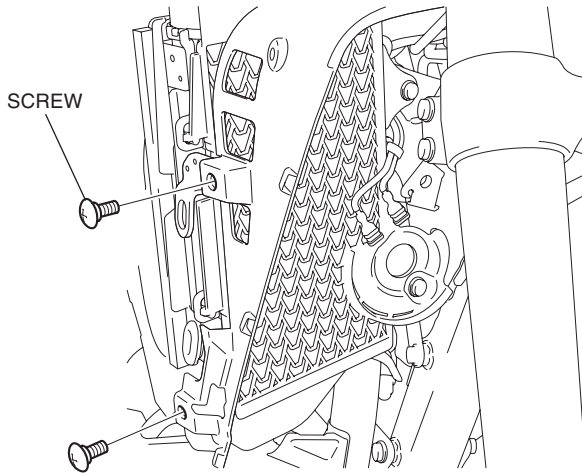


8. Remove the horn as shown.

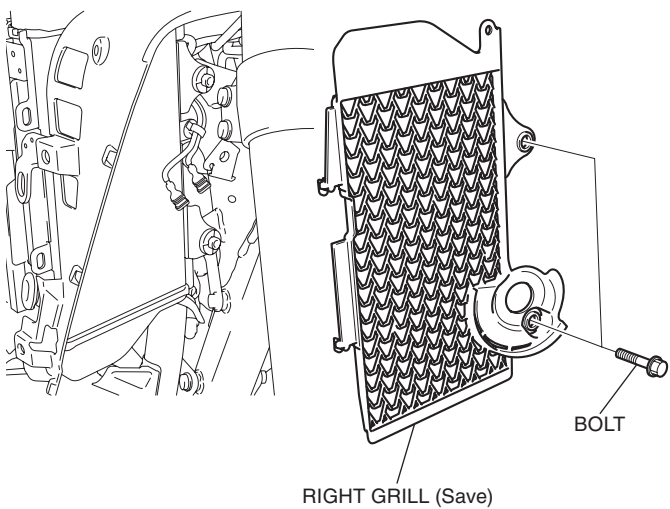
<Right side>



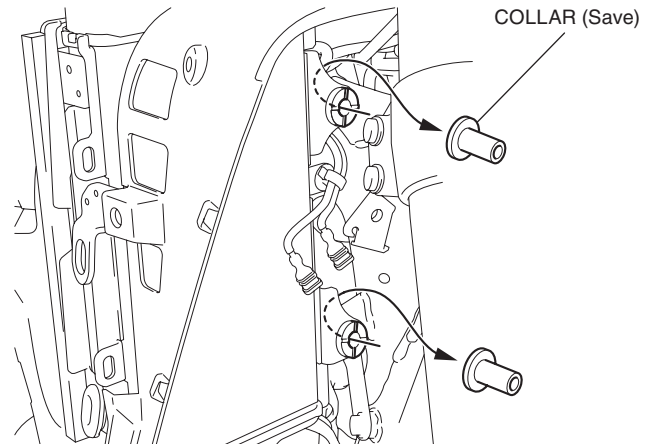
9. Remove the screws as shown.



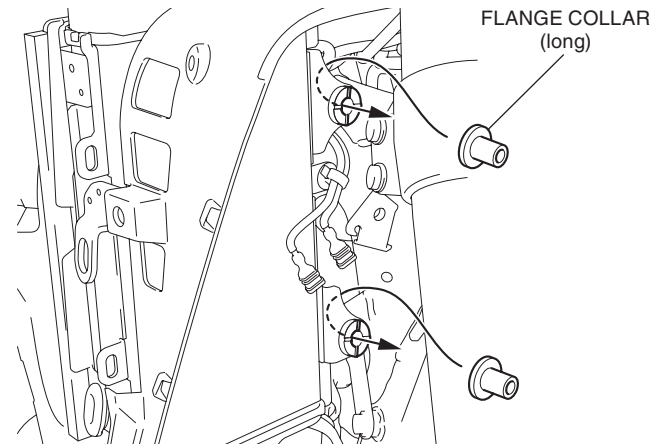
10. Remove the right grill as shown.



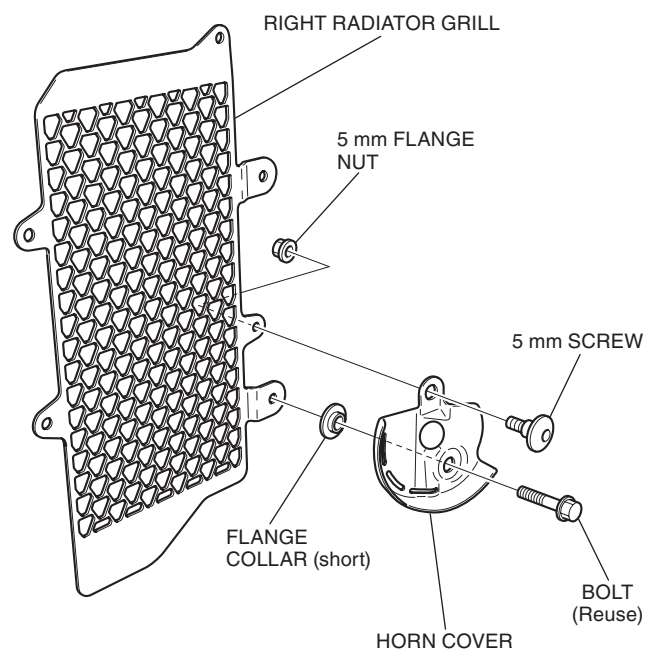
11. Remove the collars as shown.



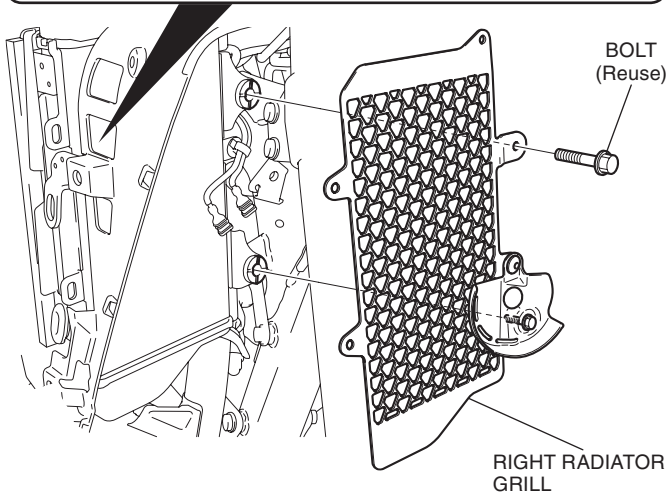
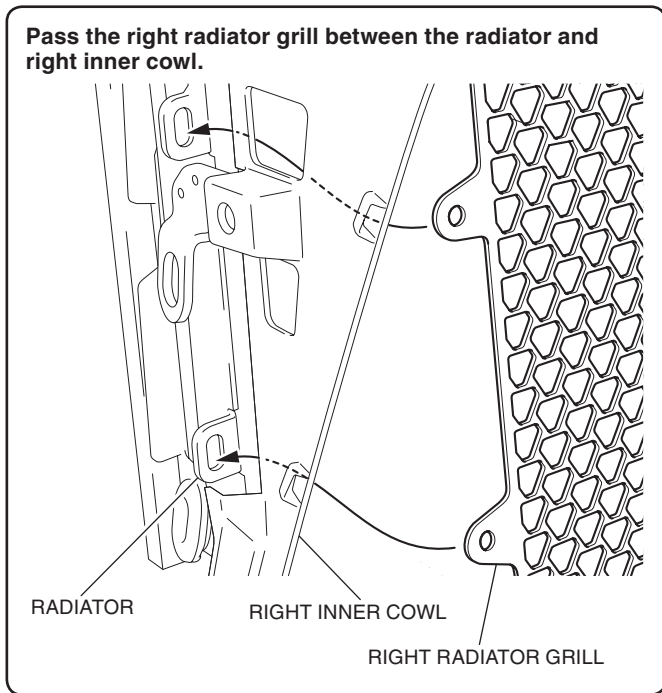
12. Install the flange collars as shown.



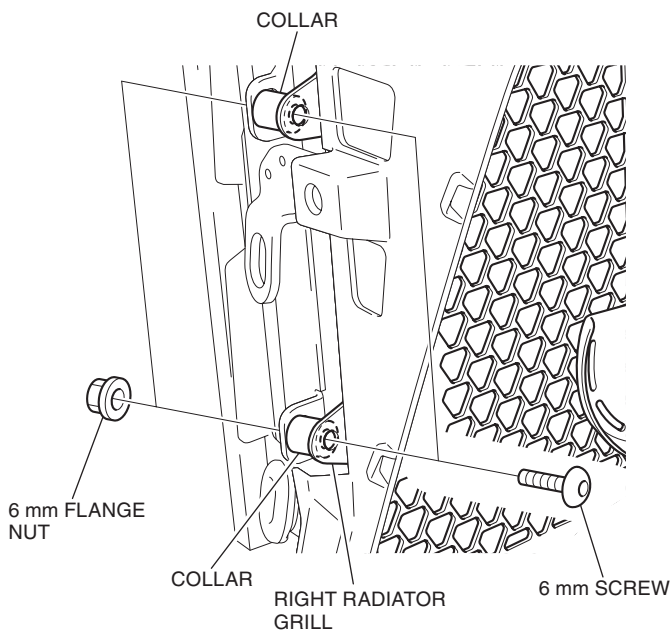
13. Install the horn cover as shown.



14. Loosely install the right radiator grill as shown.

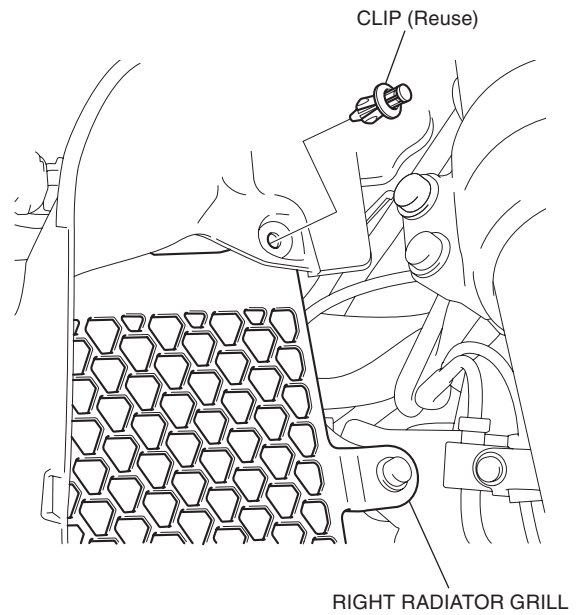


15. Loosely install the parts as shown.



16. Tighten the loosely installed parts securely.

17. Install the clip as shown.



18. Install the horn in the reverse order of removal.

19. Install the left radiator grill in the same manner as the right side.

20. Install the motorcycle's parts in the reverse order of removal.

- Confirm that any wire harness is not caught or too tight.